



'07-Current JK Rear Recovery Bumper  
**INSTALLATION INSTRUCTIONS**

3101 W. FM 544  
Wylie, TX 75098  
866.342.0977  
BLKMTNJeep.com

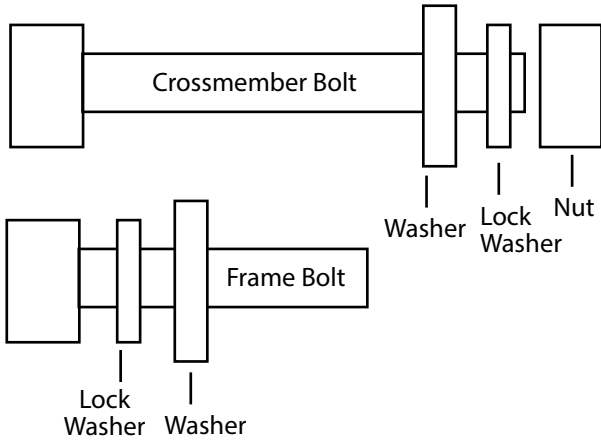
Part #BMA5-BP-038-B



**WE RECOMMEND TWO PEOPLE FOR THIS INSTALL**

**\*READ INSTALLATION INSTRUCTIONS ENTIRELY, AND ENSURE YOU HAVE ALL PARTS & HARDWARE PICTURED ABOVE, PRIOR TO INSTALLING PRODUCT\***

## PARTS & HARDWARE FOR STEP ONE



Crossmember Spacer Plate (1)  
 Bumper Bolts (4)  
 Lock Washers (4)  
 Flat Washers (4)  
 Nuts (4)

Frame Brackets (2)  
 Frame Bracket Bolts (4)  
 Lock Washers (4)  
 Flat Washers (4)



### REMOVE STOCK BUMPER AND STOCK HITCH (IF APPLICABLE)

- Remove two (2) bolts from EACH SIDE of the frame/stock bumper
- Remove four (4) bolts from crossmember/hitch



### INSTALL 'CROSSMEMBER BRACKET'

- To install, place Spacer Plate on the INSIDE of the crossmember bar, install Bumper Bolts from back-side of frame.

**NOTE:** Lock washers, flat washers and nut will go on AFTER bumper is installed



### INSTALL 'FRAME BRACKETS'

- To install, place brackets INSIDE the open-ended part of the frame. Line up holes with stock frame holes.

**NOTE:** The Frame Brackets have nuts welded into them to help secure bolts when mounting the bumper.





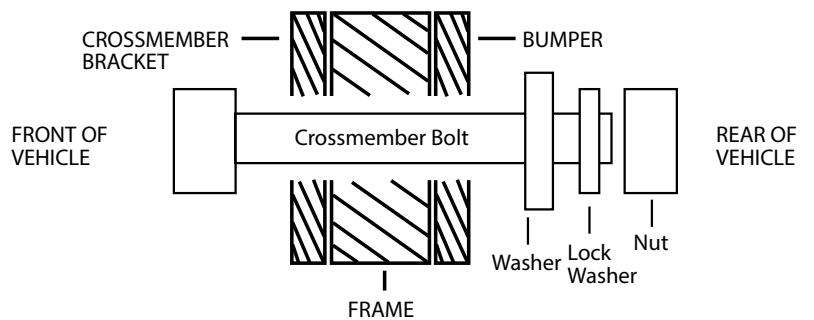
## INSTALL BUMPER

- After brackets and bolts have been installed it is time to mount the bumper onto the Bumper Bolts.



## INSTALL ONTO CROSSMEMBER

- To install, guide the bumper onto the Crossmember bolts. The bumper should also slide onto the OUTSIDE of the protruding frame rails. The same open-ends that the Frame Brackets sit within.
- After bumper is sitting on Crossmember bolts, insert included hardware and tighten. See diagram below for order of washers/nuts.



## BOLT ONTO FRAME

- Using the supplied hardware, install in the order of the diagram below. Remember, the Frame Brackets has the Nuts welded directly onto them – making it easy to tighten the bolts down.

